

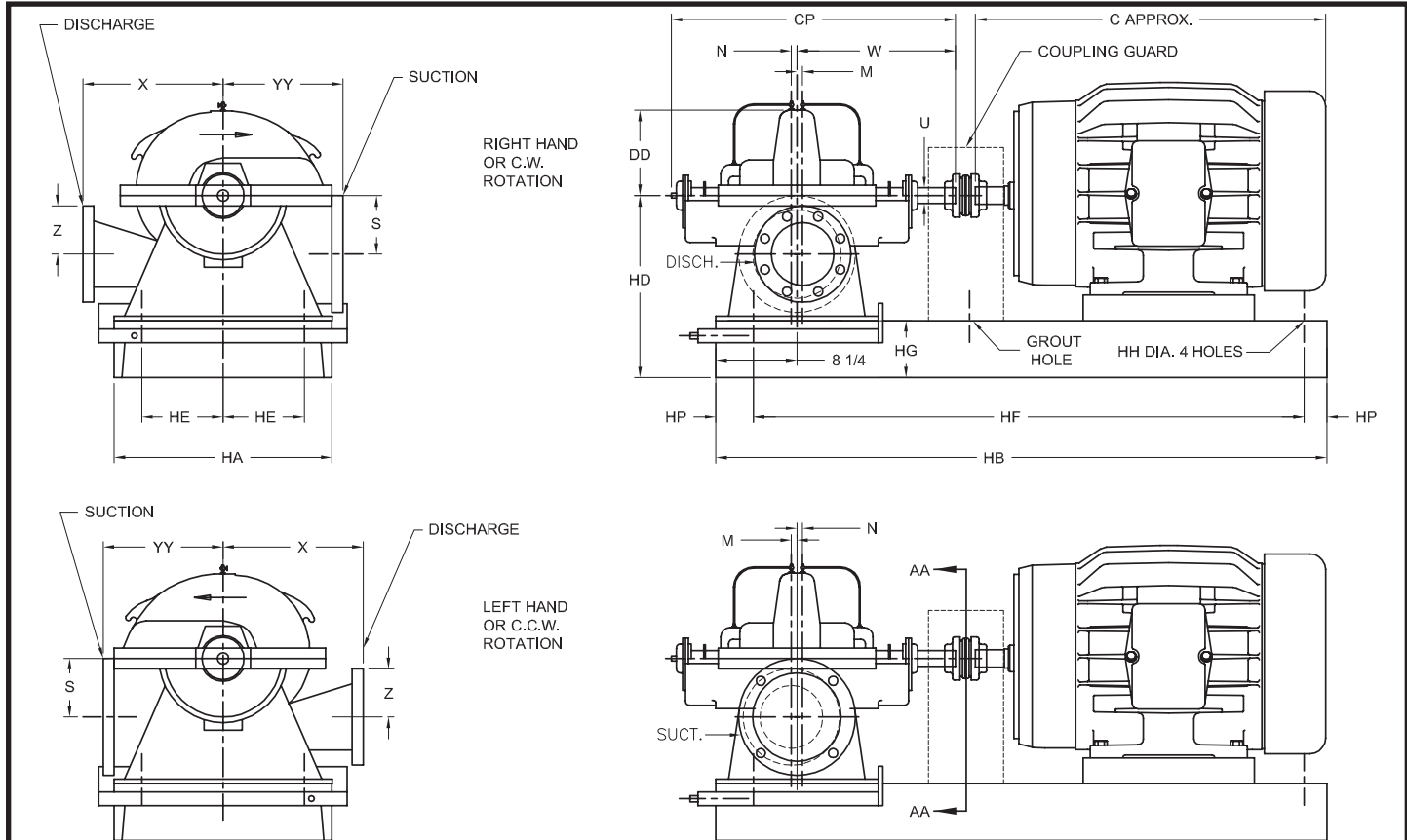
Fig. 5260

Pumps with Type A, B or C Steel Base, Coupling & Motor
 Size: 4x3x10 - Bulletin 5260

DEMING®

www.cranepumps.com

Two Stage Split Case Centrifugal Pumps



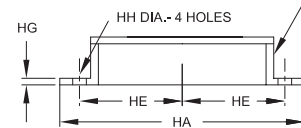
RH/Clockwise rotation is furnished unless otherwise specified.

AA - VIEW - LOOKING AT SHAFT EXTENSION FROM BEHIND THE DRIVER. RIGHT HAND OR C.W. ROTATION FURNISHED UNLESS OTHERWISE SPECIFIED.

PUMP	TYPE	SUCT	DISCH	DD	CP	M	N	S	U	W	X	YY	Z
4 x 3 x 10	STANDARD BEARING	4	3	9 ³ / ₄	31 ¹ / ₂	1 ³ / ₁₆	3 ³ / ₁₆	5 ⁵ / ₈	1 ¹ / ₈	17 ¹ / ₈	9 ³ / ₄	14	5 ⁵ / ₈
4 x 3 x 10	WATER COOLED THRUST BEARING	4	3	9 ³ / ₄	32 ⁵ / ₈	1 ³ / ₁₆	3 ³ / ₁₆	5 ⁵ / ₈	1 ¹ / ₈	17 ¹ / ₈	9 ³ / ₄	14	5 ⁵ / ₈
4 x 3 x 10	WATER COOLED RADIAL & THRUST BEARING	4	3	9 ³ / ₄	34	1 ³ / ₁₆	3 ³ / ₁₆	5 ⁵ / ₈	1 ¹ / ₈	18 ⁵ / ₈	9 ³ / ₄	14	5 ⁵ / ₈
4 x 3 x 10	OIL LUBRICATED BEARING	4	3	9 ³ / ₄	34 ³ / ₄	1 ³ / ₁₆	3 ³ / ₁₆	5 ⁵ / ₈	1 ¹ / ₈	18 ⁵ / ₈	9 ³ / ₄	14	5 ⁵ / ₈

FRAME NO.	184T	213T	215T	254T	256T	284TS	286TS	324TS	326TS	364TS	365TS	405TS
BASE No.	27507	27507	27507	27508	27508	27508	27508	27509	27509	27509	27509	27511
C	15 ⁵ / ₈	17 ³ / ₈	19 ¹ / ₈	22 ³ / ₈	24 ³ / ₈	24 ¹ / ₂	26	27 ¹ / ₄	28 ³ / ₄	31	32	36
HA	18	18	18	18	18	18	18	18	18	18	18	25
HB	46	46	46	51	51	51	51	56	56	56	56	57
HD	14 ³ / ₄	14 ³ / ₄	14 ³ / ₄	14 ³ / ₄	14 ³ / ₄	14 ³ / ₄	14 ³ / ₄	14 ³ / ₄	14 ³ / ₄	14 ³ / ₄	14 ³ / ₄	15 ¹ / ₄
HE	7 ¹ / ₂	7 ¹ / ₂	7 ¹ / ₂	7 ¹ / ₂	7 ¹ / ₂	7 ¹ / ₂	7 ¹ / ₂	7 ¹ / ₂	7 ¹ / ₂	7 ¹ / ₂	7 ¹ / ₂	11 ¹ / ₄
HF	43 ¹ / ₂	43 ¹ / ₂	43 ¹ / ₂	48 ¹ / ₂	48 ¹ / ₂	48 ¹ / ₂	48 ¹ / ₂	53 ¹ / ₂	53 ¹ / ₂	53 ¹ / ₂	53 ¹ / ₂	54
HG	4	4	4	4	4	4	4	4	4	4	4	5 ⁵ / ₈
HH	3 ³ / ₄	3 ³ / ₄	3 ³ / ₄	3 ³ / ₄	3 ³ / ₄	3 ³ / ₄	3 ³ / ₄	3 ³ / ₄	3 ³ / ₄	3 ³ / ₄	3 ³ / ₄	7 ⁵ / ₈
HP	1 ¹ / ₄	1 ¹ / ₄	1 ¹ / ₄	1 ¹ / ₄	1 ¹ / ₄	1 ¹ / ₄	1 ¹ / ₄	1 ¹ / ₄	1 ¹ / ₄	1 ¹ / ₄	1 ¹ / ₄	1 ¹ / ₂

THIS STYLE - BASE WITH GROUT HOLE FURNISHED AS STANDARD ON 404T FRAME & LARGER



PUMP	125 # ASA FF FLANGE			250 # ASA FF FLANGE		
	SUCTION		B.C.	DISCHARGE		B.C.
	DIA.	#-BOLT		DIA.	#-BOLT	
4	9	8 - 5 ⁸ / ₁₆	7 ¹ / ₂	--	--	--
3	--	--	--	8 ¹ / ₄	8 - 3 ⁴ / ₁₆	6 ⁵ / ₈

Customer				Shop Order No.				Date:		By:	
Pump Data	Fig. No.	Size	Curve No.	GPM	Head	Sp. Gr.	Temp.	Rotation	Packing/Seal		
Motor Data	MFGR	Hp	RPM	Phase-Cycle Voltage		Frame	Enclosure	Insulation	Furnished by	Mounted	

SECTION 30
 PAGE 14
 DATE 3/14



PUMPS & SYSTEMS

A Crane Co. Company

USA: (937) 778-8947 • Canada: (905) 457-6223 • International: (937) 615-3598